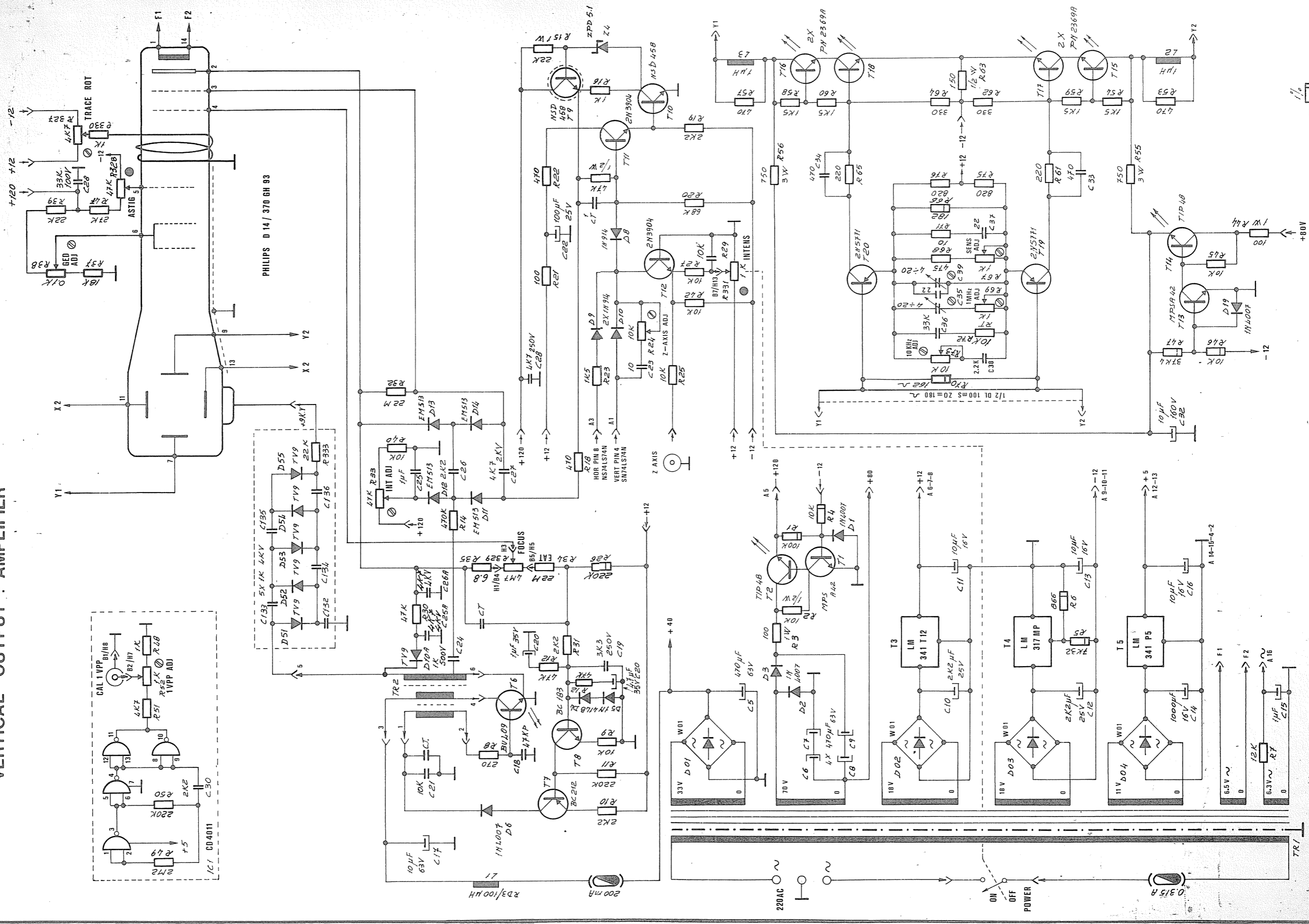
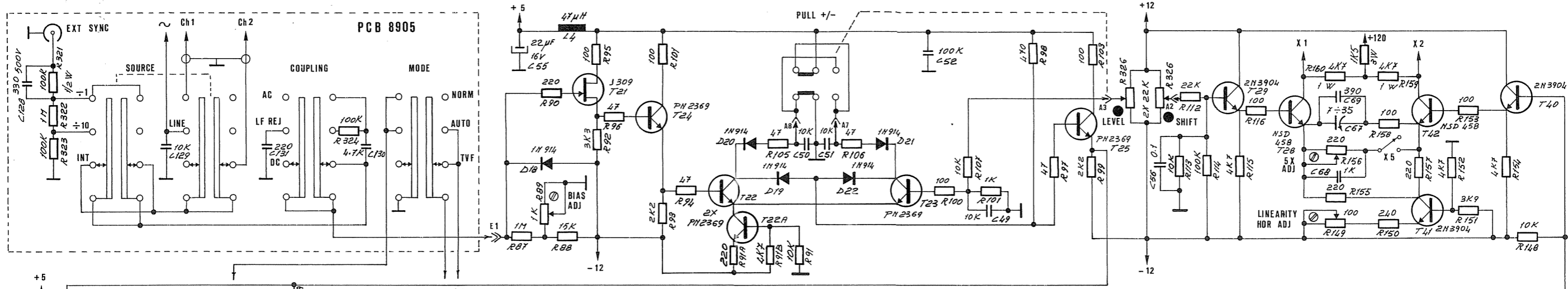


# DUAL-TRACE OSCILLOSCOPE G 4005 BDT

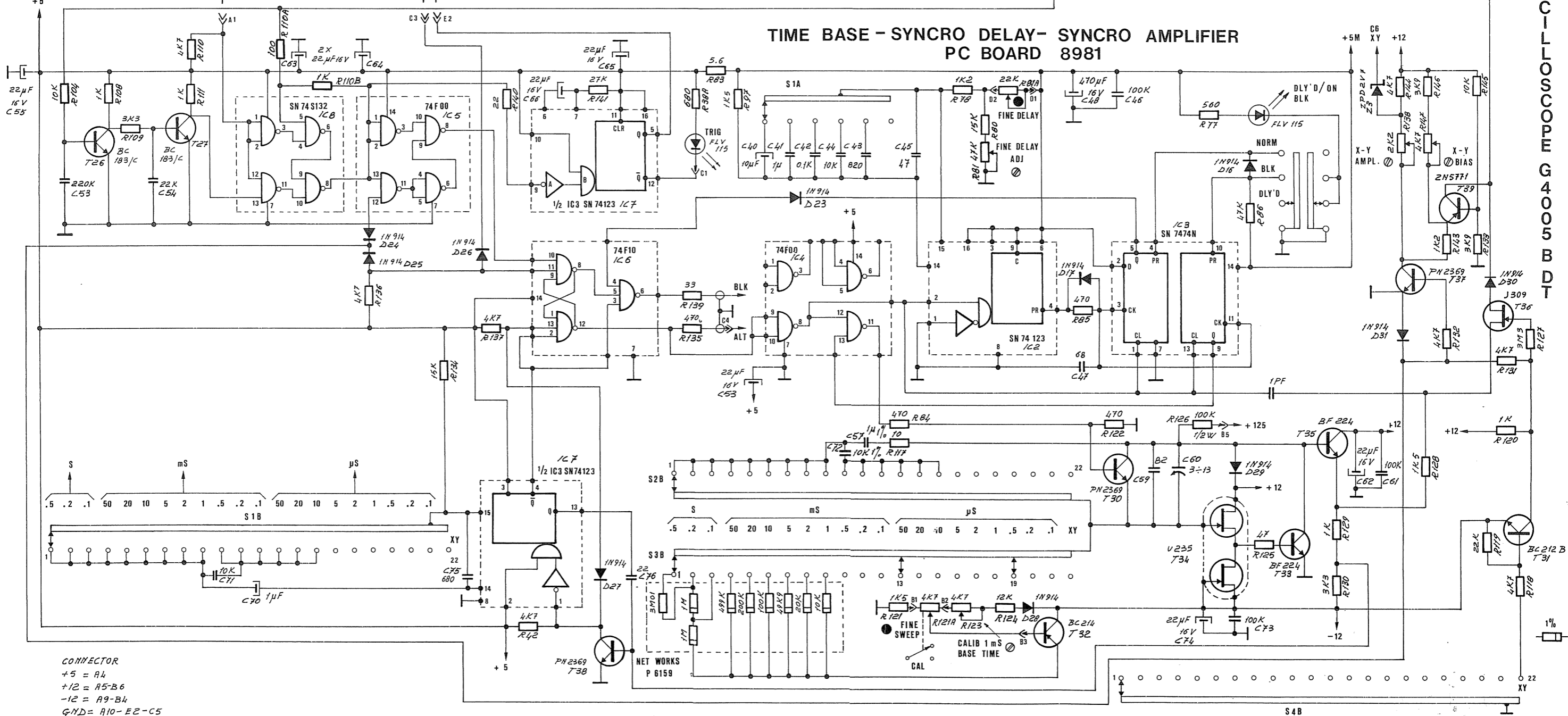
## POWER SUPPLY and VERTICAL OUTPUT ÷ AMPLIFIER



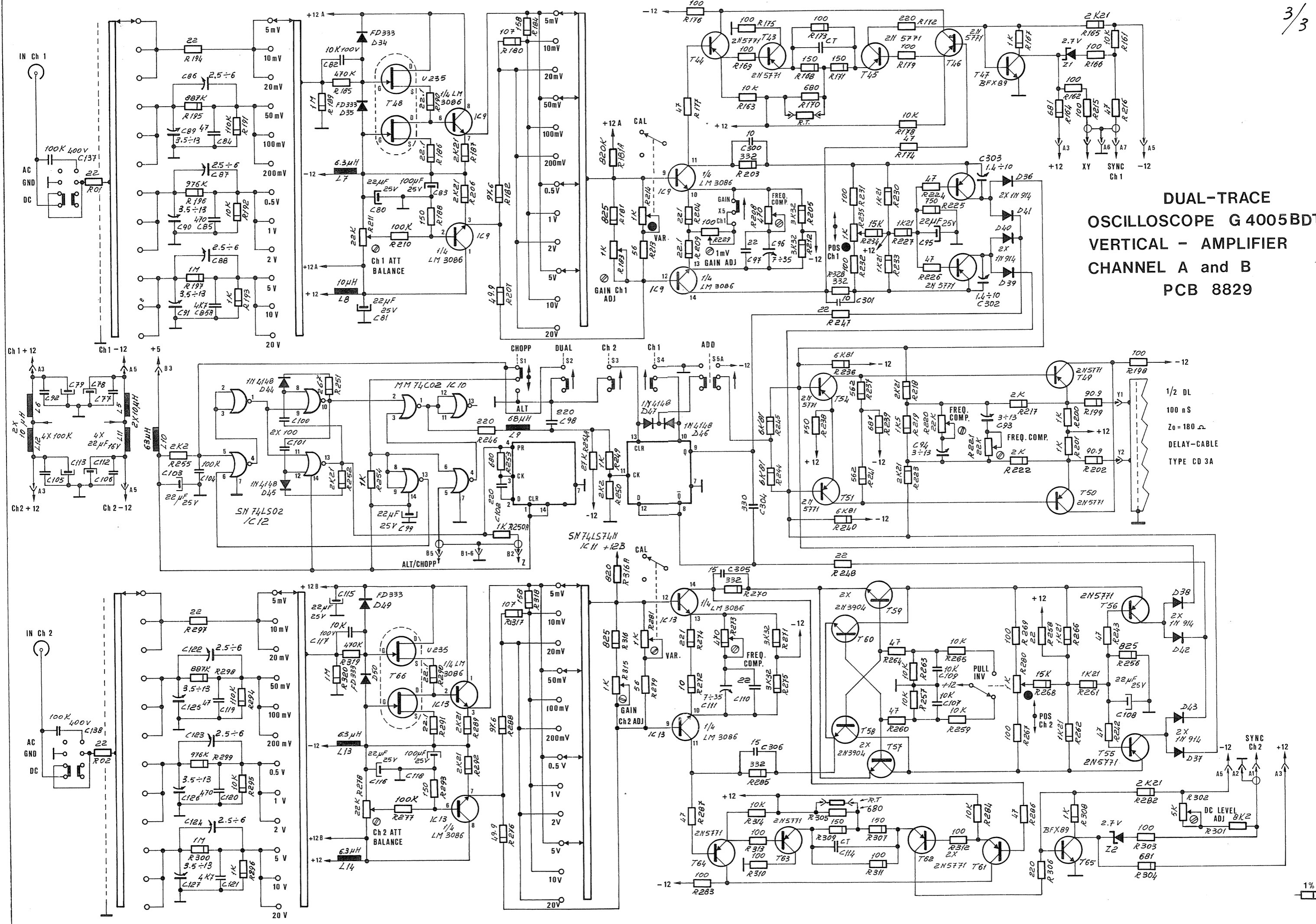
1/3



TIME BASE - SYNCRO DELAY - SYNCRO AMPLIFIER  
PC BOARD 8981



CONNECTOR  
 +5 = A4  
 +12 = A5-B6  
 -12 = A9-B4  
 GND = A10-E2-C5



**DUAL-TRACE  
OSCILLOSCOPE G 4005BDT  
VERTICAL - AMPLIFIER  
CHANNEL A and B  
PCB 8829**

1/2 DL  
100 nS  
Z<sub>0</sub> = 180 Ω  
DELAY-CABLE  
TYPE CD 3A